

1	-----	1
1-1	-----	2
	-----	2
1-3	-----	2
1-4	-----	3
1-5	-----	4
1-5-1	-----	4
1-5-2	-----	4
1-5-3	-----	5
1-6	-----	6
1-7	-----	6
1-7-1	-----	6
1-7-2	-----	7
2	-----	8
2-1	-----	8
2-2	-----	8
2-3	-----	9
2-3-1	-----	9
2-3-2	-----	10
2-4		

1

1-1

1-1-1

1-1-2

1-1-3

1-1-4

1-1-5

1-1-6

1-2

1-2-1

1-2-2 5 40

1-2-3 1 75

1-2-4

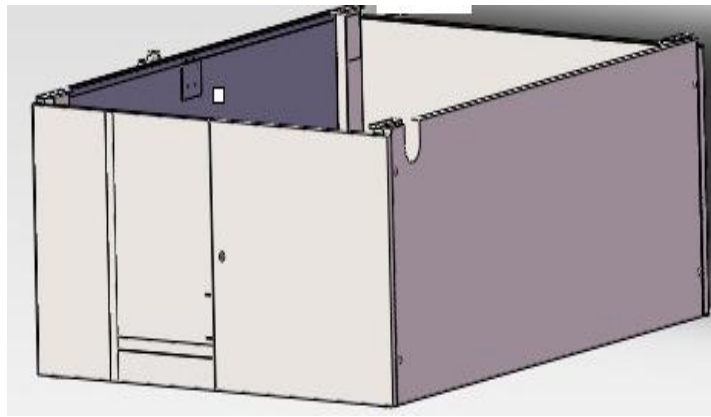
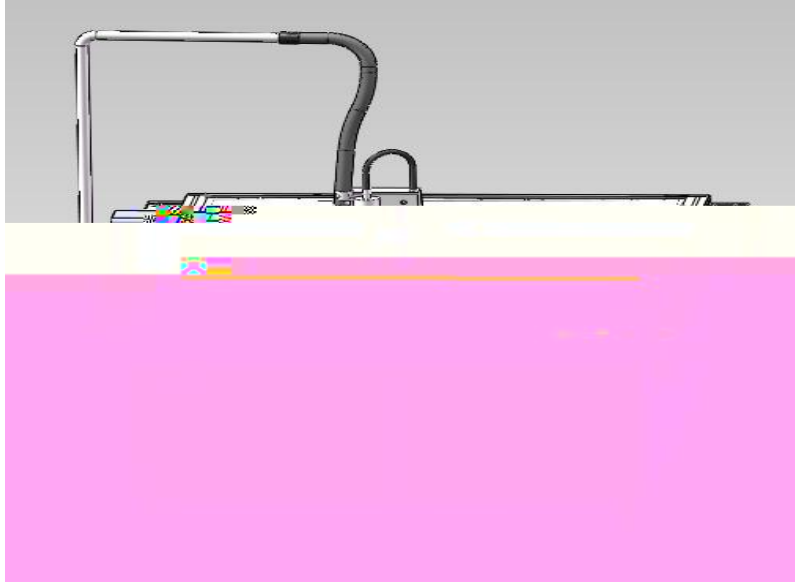
AC

10A

1-2-5

1-3

:



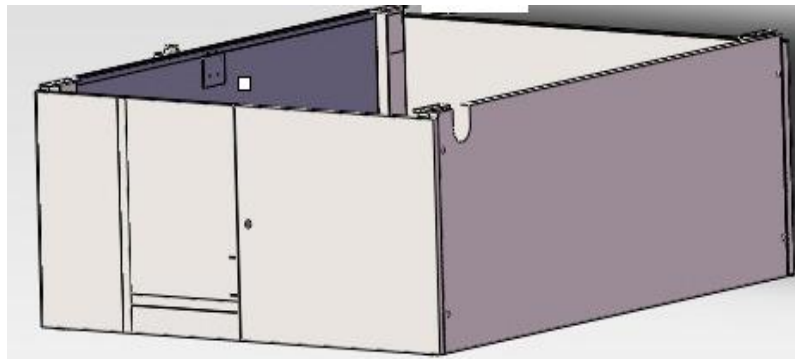
1-1

1-4

+ + + + +

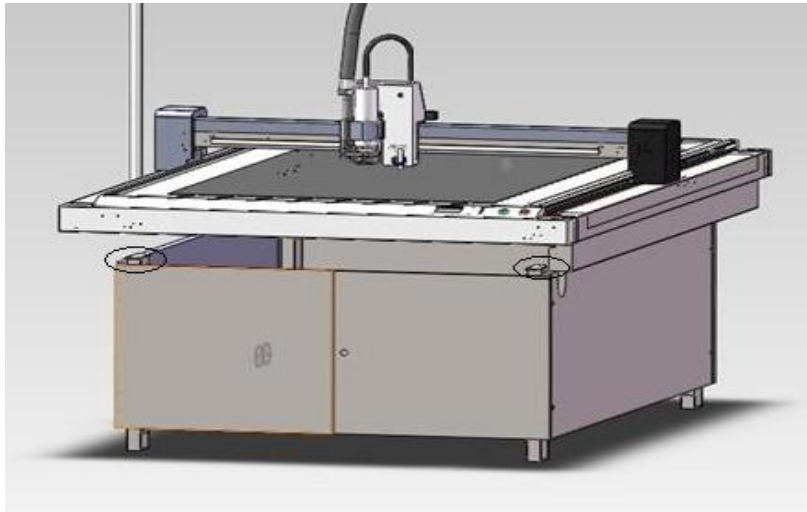
1-5

1-5-1



1-2

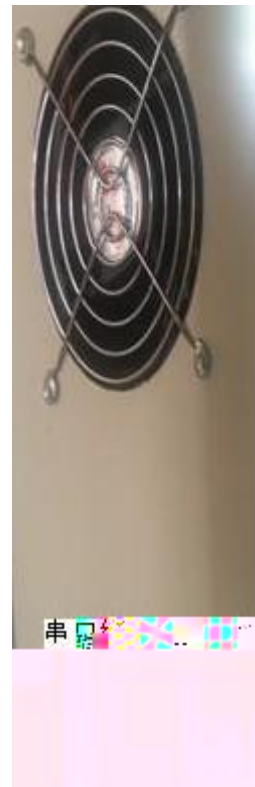
1-5-2



1-3

1-5-3

1 5



1 4

1 5

MC



1 5

1-6

:

1

2

3

4

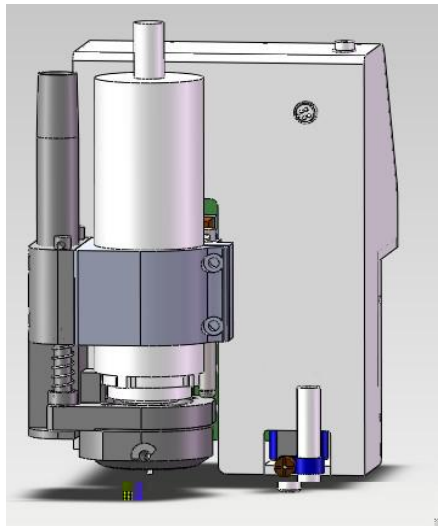
5

6

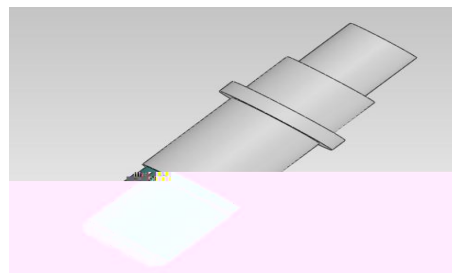
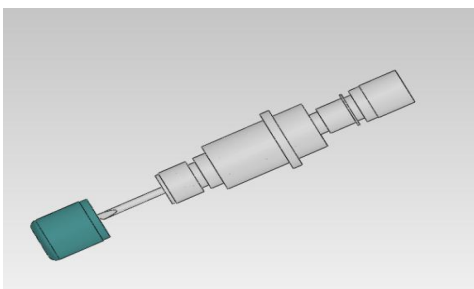
5

1-7

1-7-1



1-7-2



2

2-1

2-1-1

ON

1

2-1-2

OFF

2-2



2-2-1

2-2-2

2-2-3

2-4-4

2-2-4 **F1**

2-2-5

2-2-6





2-3

1

2

2-3-1

1 8



3

3

3

2-3-2



C

C

2-4

2-4-1

2-4-2

2-4-3 F1

2-4-4

1

X

Y

X

Y

X

0.1

Y

0.1

X

Y

X

0.1

Y

0.1

2

:

:

:

3

4

3

10

11

4

		6A	6A
		x y z	
	PVC		

